

AXOR Citterio

Single lever basin mixer 110 with pin handle and pop-up waste set

Surfaces: **Chrome** Article Number: **39010000**



Description

product features

- consists of: single lever basin mixer, waste set
- ComfortZone 110
- projection 104 mm
- normal spray
- flow rate at 3 bar: 5 l/min
- joystick ceramic cartridge
- suitable for continuous flow water heaters
- pop-up waste set G 1¼
- connection type: G ¾ connections
- connection dimension: DN15
- P-IX 9508/IA
- DVGW NW-6506BT0603
- ACS 17 ACC LY 518, valide jusqu'au 02.10.2022
- WRAS 1806017
- WRAS 1806017
- JWWA C-501
- KCW-2018-0161_WTM_WSW
- Kiwa K6161_Mechanical Mixers EN817
- SVGW 0312-4763
- SINTEF 1423

Technology



Design awards

DESIGN PLUS

powered by: **ISH**

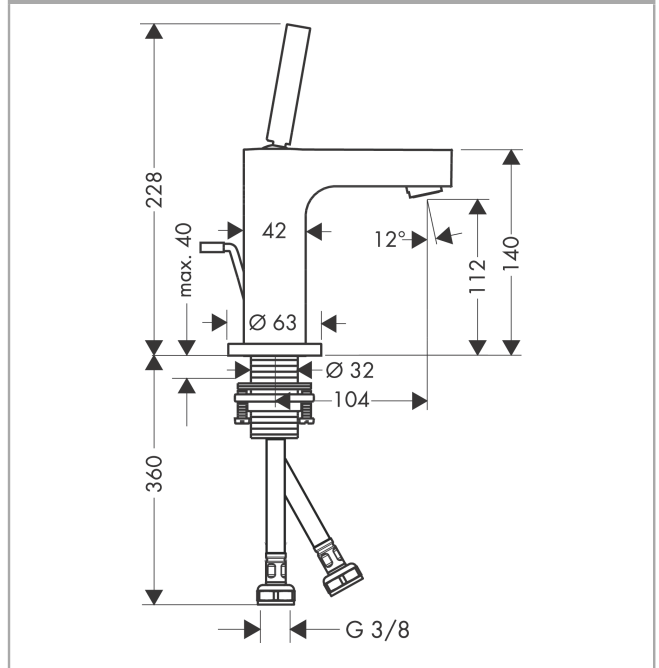
AXOR Citterio
Single lever basin mixer 110 with pin handle and pop-up waste set
 Surfaces: **Chrome** Article Number: **39010000**



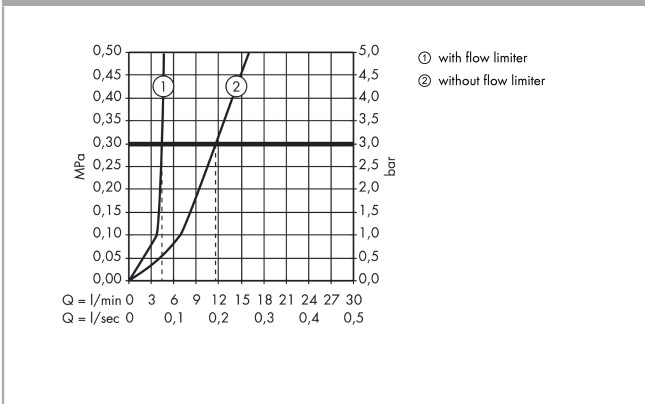
Product image



Scale drawing



Flowchart

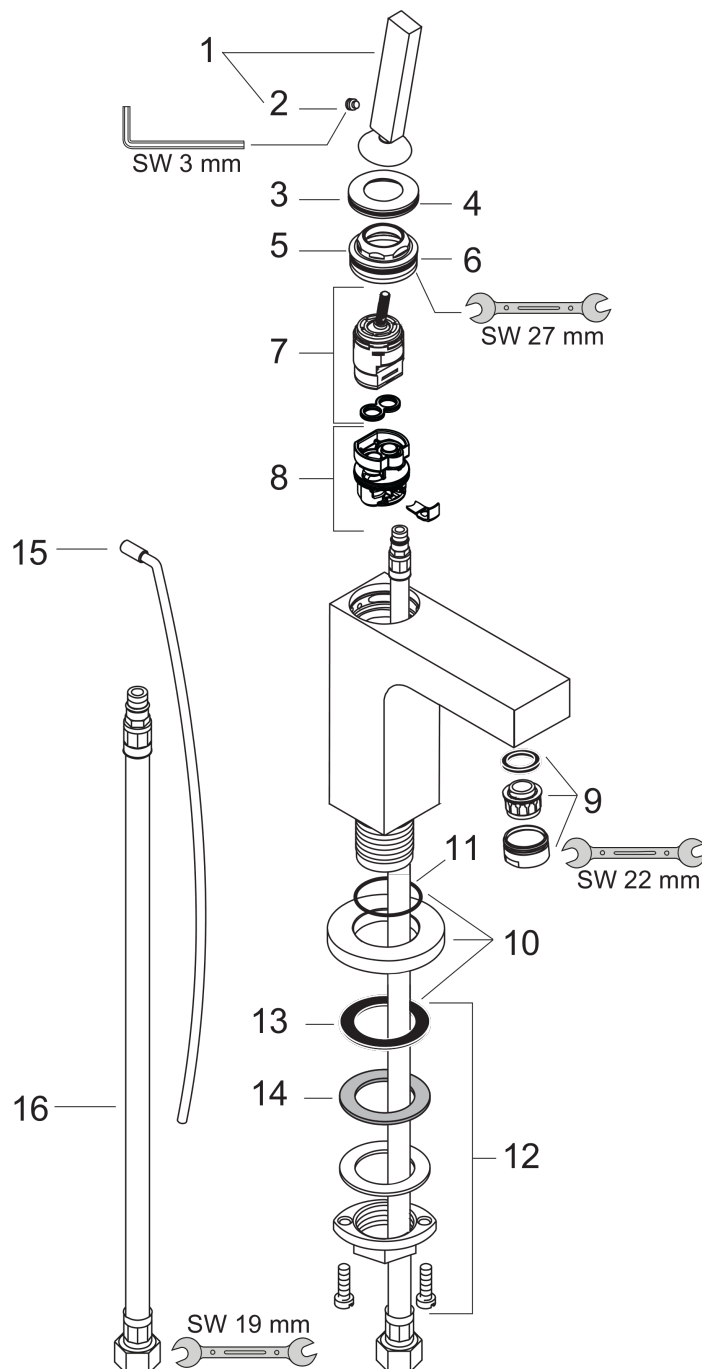


AXOR Citterio
Single lever basin mixer 110 with pin handle and pop-up waste set
 Surfaces: **Chrome** Article Number: **39010000**



Exploded Drawing

Year of production: >10/10



AXOR Citterio
Single lever basin mixer 110 with pin handle and pop-up waste set
 Surfaces: **Chrome** Article Number: **39010000**



Spare part list

Year of production: >10/10

Pos.	Description	Article Number	PC	PU
1	handle	39091000	16	1
2	hollow set screw M6x6	97660000	1	1
3	escutcheon	96671000	10	1
4	O-ring 33x1,5	98164000	1	1
5	nut	97157000	6	1
6	O-Ring 30x2	98186000	1	1
7	cartridge, assy	96339000	12	1
8	adapter for cartridge	92186000	4	1
9	aerator M24x1 (5 l/min)	13185000	98	1
10	escutcheon	95396000	10	1
11	O-ring 36x2	98156000	1	1
12	fixing set (Ø 32)	13961000	7	1
13	sealing washer	97825000	1	1
14	lever collar	97548000	1	1
15	pull rod	96923000	8	1
16	connection hose 450 mm M8x0,75 G3/8	97206000	8	1
17	O-ring 7x1,5	98422000	1	1
a	pop up waste	94139000	98	1
b	fixation extension 35 mm	13898000	12	1
c	service tool for disassembling the handle	92124000	15	1